



# Flanged End Ball Valves

# 2021D

## ANSI 150 1-PIECE STANDARD PORT

★ API 607 Fire Safe Approved



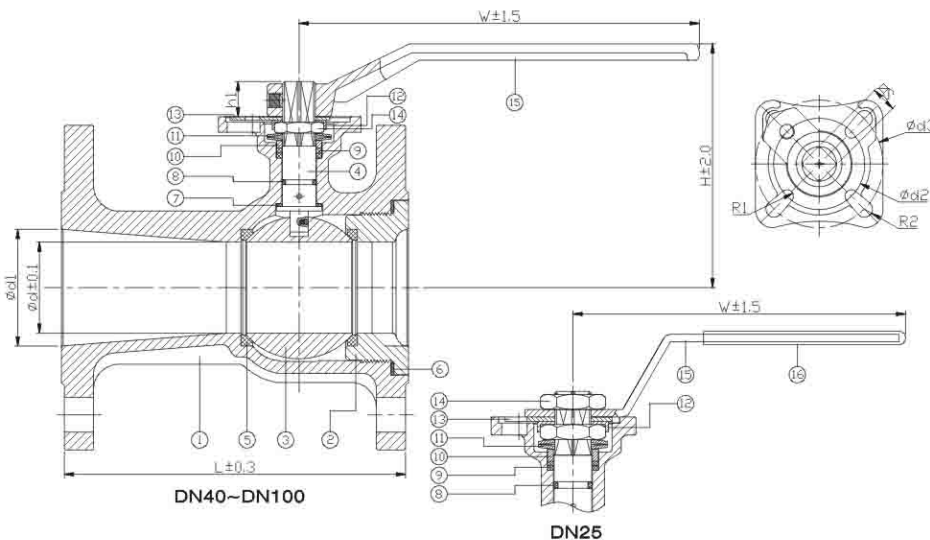
### Special Alloy Option

Titanium (Ti)  
Monel 400  
Hastelloy C  
Inconel 625  
SMO 254  
Duplex

### FEATURES

- The flange ends refers to ANSI B16.5
- Face to Face : ANSI B 16.10
- Wall thickness : ANSI B 16.34
- Investment casting
- Blow-out proof stem
- ISO 5211 Mounting pad
- Easy lock device
- PTFE Seat
- Graphite Packing
- Graphite Body seal
- Graphite Thrust washer
- Anti-static device

Applicable Standard	
Test and Inspection	API 598



ITEM	PARTS	MATERIAL	
1	BODY	ASTMA351-CF8M	ASTMA216-WCB
2	RETAINER	1.4408	1.0619
3	BALL	ASTMA351-CF8M	
4	STEM	ASTM A276-316	
5	BALL SEAT	PTFE/RTFE	
6	BODY SEAL	PTFE/GRAPHITE	
7	THRUST WASHER	PTFE/GRAPHITE	
8	ORING	VITON	
9	PACKING	PTFE/GRAPHITE	
10	GLAND RING	VITON	
11	DISK SPRING	VITON	
12	LOCK WASHER	AISI304	
13	LOCK PAD	AISI304	
14	STEM NUT	AISI304	
15	HANDLE	AISI304	
16	HANDLE SELLVE	PVC	

DN	d	d1	L	H	W	ISO 5211	S	h1	d2	d3	R1	R2
25	20	25	127	80	117	F03/F04	9	8	36	42	2.75	2.75
40	30	40	165	90	160	F04/F05	11	10.5	42	50	2.75	3.5
50	38	50	178	117	221	F05/F07	14	14	50	70	3.5	4.5
65	50	64	190.5	130				15.5				
80	64	76	203	134	325	F07/F10	17	18.5	70	102	4.5	5.5
100	76	100	229	157				20				

NPS	d	d1	L	H	W	ISO 5211	S	h1	d2	d3	R1	R2
1"	0.79	0.98	5	3.15	4.61	F03/F04	0.35	0.32	1.42	1.65	0.11	0.11
1-1/2"	1.18	1.57	6.50	3.54	6.3	F04/F05	0.43	0.41	1.65	1.97	0.11	0.14
2"	1.50	1.97	7.01	4.61	8.7	F05/F07	0.55	0.55	1.97	2.76	0.14	0.18
2-1/2"	1.97	2.52	7.50	5.12				0.61				
3"	2.52	2.99	7.99	5.28	12.8	F07/F10	0.67	0.73	2.76	4.02	0.18	4.02
4"	2.99	3.94	9.02	6.18				0.79				

