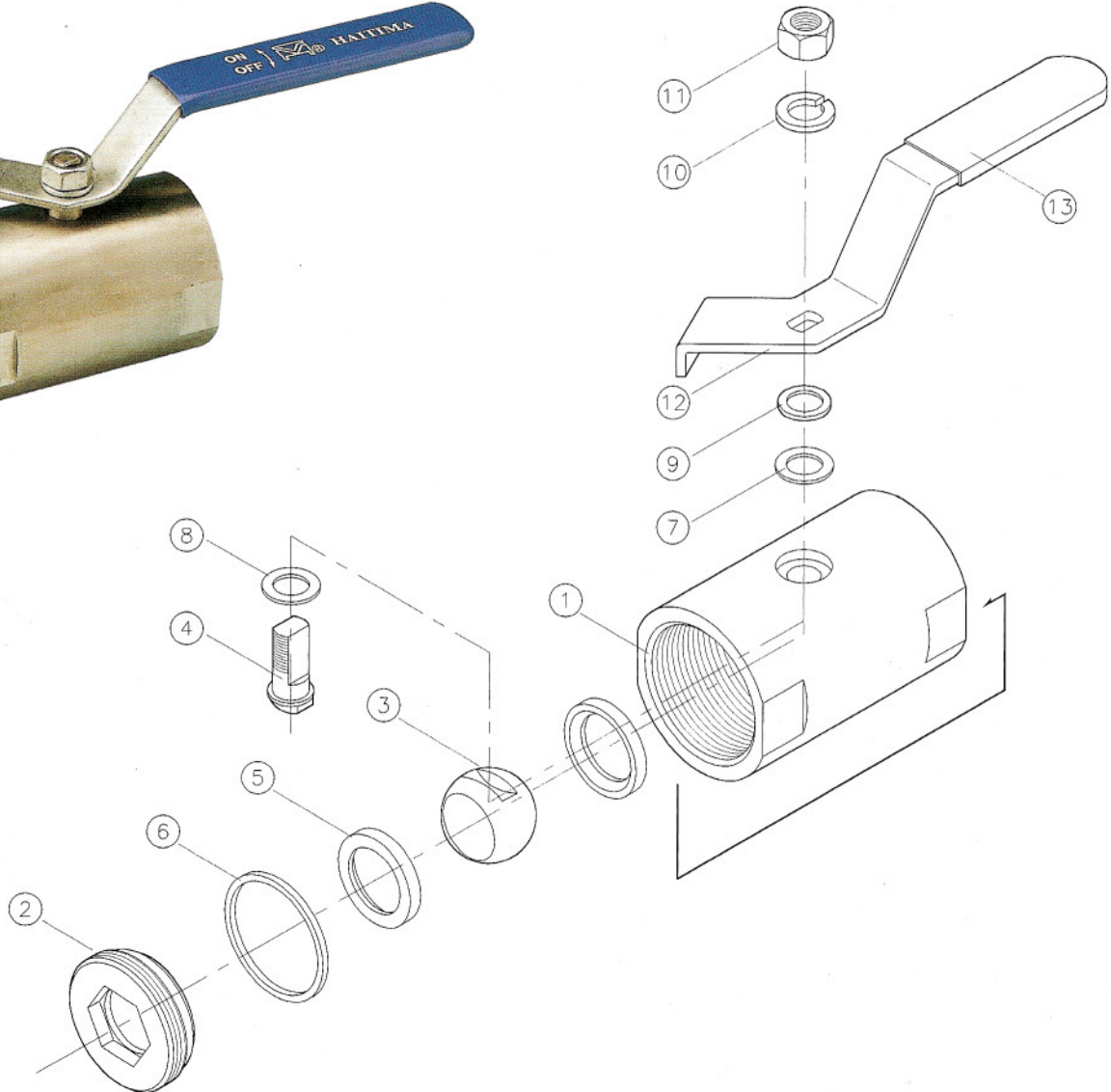


1 pc Screwed End Ball Valves

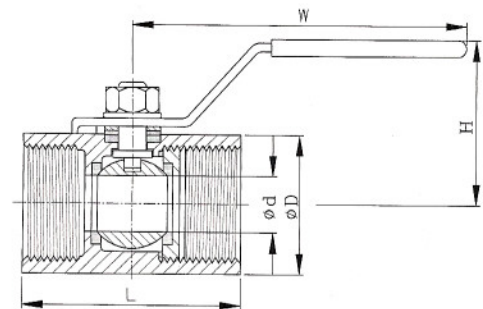
1000 WOG
Reduce Bore

2018



Features

- *The thread ends conform to ASME B1.20.1(NPT)
DIN 2999 & BS21
ISO 228/1 & ISO 7/1
- *Investment casting
- *Blow-out proof stem
- *Reduce bore
- *1000 psi W.O.G.
- *15% glassfiber fill PTFE reinforce seat
- *PTFE seal & packing



NO.	PARTS	STAINLESS STEEL	CARBON STEEL	QTY
1	BODY	ASTM A351-CF8M	ASTM A216-WCB	1
2	RETAINER	ASTM A351-CF8M	ASTM A216-WCB	1
3	BALL	ASTM A351-CF8M	ASTM A351-CF8	1
4	STEM	AISI 316	AISI 316	1
5	BALL SEAT	R-PTFE	R-PTFE	2
6	BODY SEAL	PTFE	PTFE	1
7	PACKING	PTFE	PTFE	1
8	THRUST WASHER	PTFE	PTFE	1
9	WASHER	PTFE	PTFE	1
10	SPRING WASHER	AISI 304	AISI 304	1
11	NUT	AISI 304	AISI 304	1
12	HANDLE	AISI 304	AISI 304	1
13	HANDLE SLEEVE	PVC	PVC	1

SIZE	1/8"	1/4"	3/8"	1/2"	3/4"	1"	1 1/4"	1 1/2"	2"
Od	9.5	9.5	9.5	9.5	12.5	17	21	25	32
L	60	60	60	60	67	75	90	98	112
H	55	55	55	58	59	60	72	74	85
W	112	112	112	112	112	112	146	146	175
Cv	2	2.5	4.5	7	9	16	24	37	68
TQ	3.5	3.5	7	11.3	19	30	44	57	91
KG	0.33	0.33	0.33	0.36	0.5	0.67	1	1.9	2.4

*TQ=Torque . unit:in-lb
KG=Weight . unit:kg

unit:mm