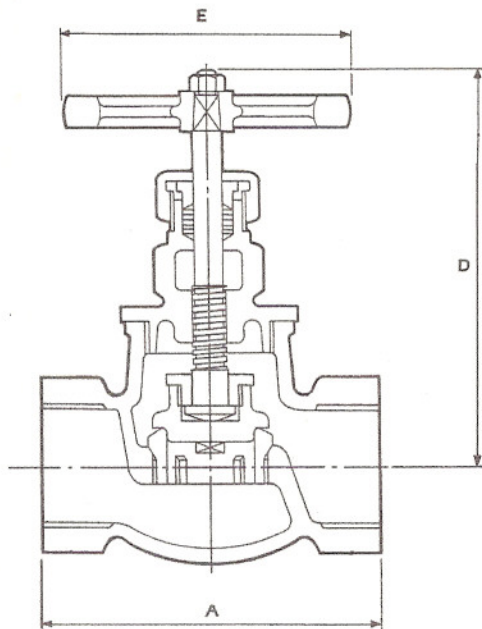


Globe Stop Valve Internal Screw Class 250

Fig. 811



COMPONENT	MATERIAL
BODY	BRONZE - CC491K (LG2)
BONNET	BRONZE - CC491K (LG2)
SEAT	NICKEL ALLOY
VALVEHEAD	NICKEL ALLOY
STEM	MANG BR
GLAND	BRONZE
HANDWHEEL	CAST IRON

Technical Description of Standard Valves

PRESSURE TEMPERATURE RATINGS

TEMP. °C	WORKING PRESSURE BAR
-10	120
	150
	170
	180
	186
	198
	200
	220
	250
	260

Cast bronze body and bonnet, inside screw rising stem.

Screwed ends to customer's order.

SIZE		A		D		E		WEIGHT*
mm	ins	mm	ins	mm	ins	mm	ins	kg
6	1/4	70	2 3/4	111	4 3/8	70	2 3/4	1
10	3/8	70	2 3/4	111	4 3/8	70	2 3/4	1.5
15	1/2	89	3 1/2	117	4 5/8	86	3 3/8	2
20	3/4	102	4	143	5 5/8	95	3 3/4	3.5
25	1	115	4 1/2	152	6	105	4 1/8	4.5
32	1 1/4	133	5 1/4	171	6 3/4	118	4 5/8	6.5
40	1 1/2	152	6	200	7 7/8	137	5 3/8	8
50	2	178	7	222	8 3/4	156	6 1/8	11

* Weights of flanged valves only