



Butterfly Valves

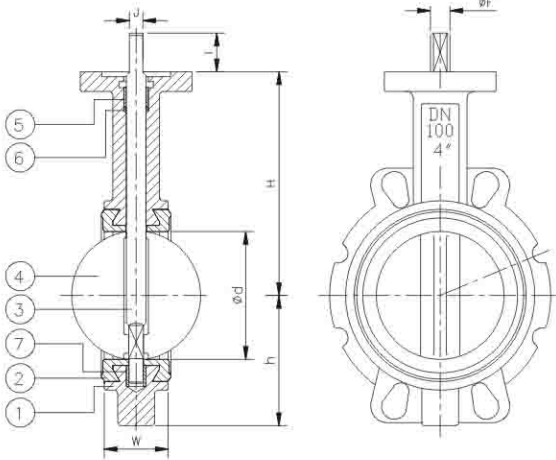
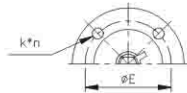
2014W

Class 150 / JIS 10K / PN 10-16
WAFER BODY



FEATURES

- Fluid application: Water. Seawater . Air . Oil . Powder Gas . Etc.
- Face to Face : ISO 5752 table 5-short
- Lever operator
- Gear operator (option)



Applicable Standard	
Test and Inspection	API 598

ITEM	PARTS	MATERIAL
1	BODY	SEE MATERIAL TABLE
2	SEAT	
3	STEM	
4	DISC	
5	BUSHING	ASTM A536
6	O-RING	NBR
7	STEM PIN	ASTM A182-F304
7	BOTTOM BUSHING	BRONZE

MATERIAL TABLE (ASTM)			
BODY	A126-B	A536-65-45-12	
DISC	A351-CF8	A351-CF8M	A536-65-45-12
	AL-B62		
STEM	A182 F410	A182 F304	A182 F316
SEAT	NBR	EPDM	VITON

DN	d	h	H	W	E	F	I	J	k x n	TORQUE (N·m) 10 Bar
50	56	85	133	43	70	13	32	8	10 x 4	23
65	70	90	145	46	70	13	32	8	10 x 4	32
80	81	98	152	46	70	13	32	8	10 x 4	36
100	103	112	170	52	70	16	32	11	10 x 4	48
125	126	125	187	56	70	16	32	11	10 x 4	68
150	149	140	200	56	70	16	32	11	10 x 4	88
200	193	170	230	60	102	19	34	13	12 x 4	188
250	245	207	276	68	102	22	34	16	12 x 4	300
300	296	238	300	78	102	28	34	19	12 x 4	500
350	330	266	355	78	140	32	55	10 x 8	19 x 4	820
400	386	300	380	86	140	35	55	10 x 8	19 x 4	1100
450	433	323	425	105	140	38	55	10 x 8	19 x 4	1380
500	487	350	430	130	180	42	90	12 x 8	15 x 8	1720
600	582	407	500	150	180	50	90	12 x 8	15 x 8	2020

unit:m m

FLANGE SPEC.
JIS 10 K
DIN PN10/16
ANSI CLASS 125
ANSI CLASS 150

