



Screwed End Ball Valves

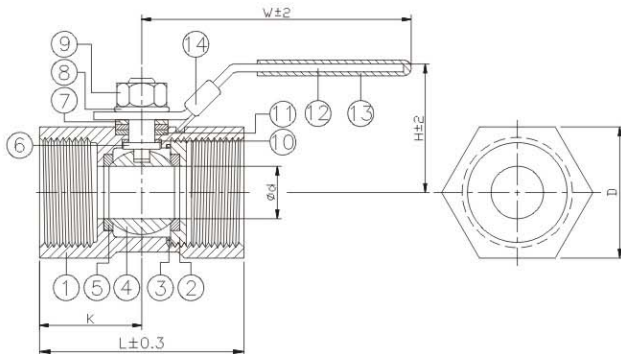
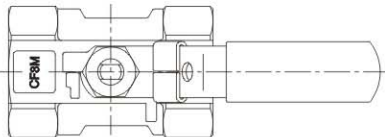
2017K

1000 W.O.G./PN63 1-PIECE REDUCE PORT



FEATURES

- The thread ends conform to ASME B1.20.1(NPT) DIN 2999 & BS 21 ISO 228/1 & ISO 7/1
- Investment casting
- Blow-out proof stem
- PTFE Seat



Applicable Standard	
Test and Inspection	API 598

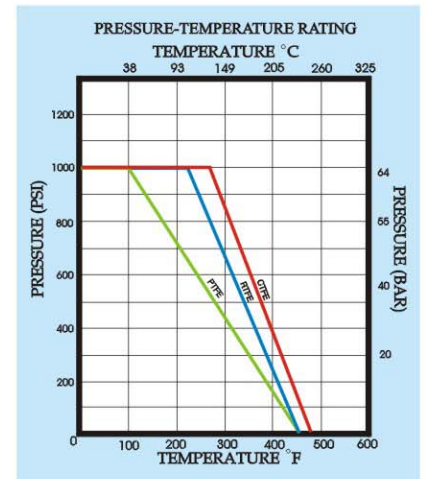
ITEM	PARTS	MATERIAL	
1	BODY	ASTM A351-CF8M	ASTM A216-WCB
2	RETAINER		
3	GASKET	PTFE	
4	BALL	ASTM A351-CF8M	
5	SEAT	PTFE / RTFE	
6	STEM	ASTM A351-CF8M	
7	GLAND RING		
8	SPRING WASHER	AISI 304	
9	NUT		
10	THRUST WASHER	PTFE	
11	PACKING		
12	HANDLE	AISI 304	
13	HANDLE SLEEVE	PVC	
14	LOCK DEVICE	AISI 304	

PN63	DN	d	L	H	W	K	D	Torque (N-m)	Weight (kg)
	8	5	39	35	68	20	17	0.78	0.07
	10	7	44	42	74	23	21.5	0.98	0.1
	15	9	56.5	42	96	29	25	1.18	0.19
	20	12.5	59	44	98	29	32	1.76	0.26
	25	15	71	57	115	35	38	2.94	0.4
	32	20	78	62	115	38	49	4.9	0.68
	40	25	83	62	163	40.5	53	7.35	0.9
50	32	100	68	163	49	65	8.82	1.4	

unit:mm

1000WOG	NPS	d	L	H	W	K	D	Torque (in-lb)	Weight (lb)
	1/4"	0.2	1.54	1.38	2.68	0.79	0.67	6.9	0.15
	3/8"	0.28	1.73	1.65	2.91	0.91	0.85	8.67	0.22
	1/2"	0.35	2.22	1.65	3.78	1.14	0.98	10.44	0.42
	3/4"	0.49	2.32	1.73	3.86	1.14	1.26	15.58	0.57
	1"	0.59	2.8	2.24	4.53	1.38	1.5	26.02	0.88
	1-1/4"	0.79	3.07	2.44	4.53	1.5	1.93	43.37	1.5
	1-1/2"	0.98	3.27	2.44	6.42	1.59	2.09	65.05	1.98
2"	1.26	3.94	2.68	6.42	1.93	2.56	78.06	3.09	

unit:in



HAITIMA VALVES



8F, No.201 Tiding Boulevard Sec.2 Taipei 114 Taiwan R.O.C.
 Tel: +886-2-26585800 Fax: +886-2-26582266 / 27997766
 Email: www.haitima.com.tw haitima@seed.net.tw