

Fig No: **MD-24**

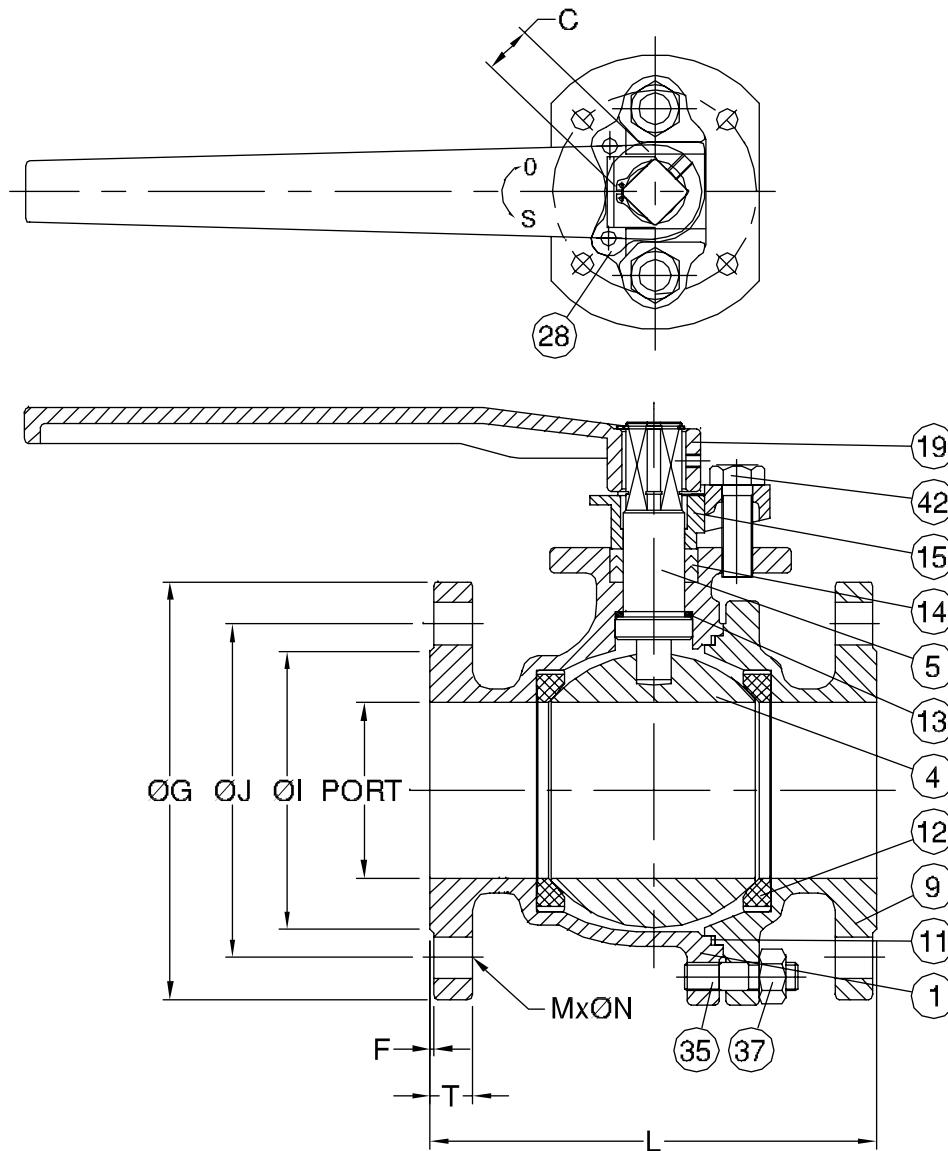
MATERIALS LIST

NO.	PART NAME	MATERIAL
1	BODY	ASTM A126 CLASS B
4	BALL	ASTM A351 Gr.CF8
5	STEM	SS304
9	END CAP	ASTM A126 CLASS B
11	BODY SEAL	PTFE.
12	SEAT	PTFE.
13	THRUST WASHER	PTFE.
14	STEM PACKING	PTFE.
15	GLAND	FC20
19	HANDLE	FC20
28	STOP PLATE	S41C
35	STUD	S41C
37	BOLT NUT	S41C
42	GLAND BOLT	S41C

DIMENSIONS

unit:mm										
SIZE	PORT	L	C	ØG	ØJ	ØI	T	F	M	ØN
DN50	2"	50	177.8	17.0	165.0	120.7	91.9	15.8	1.6	4
DN65	2-1/2"	65	190.5	21.0	185.0	139.7	104.6	17.6	1.6	4
DN80	3"	80	203.2	21.0	200.0	152.4	127.0	19.1	1.6	8

FLANGE O.D: EN1092-1 PN16
FACE TO FACE: ASME B16.10



CODE	L-010		APPROVED BY	CHECK BY	DRAWN BY	DRAWING NO.	MATERIAL	UNIT	DESCRIPTION
	SIGN	TONY	MICHAEL	SHANA	MD-24-L010	MATERIALS LIST	mm	TWO PIECES BALL VALVES, FLANGED END, FULL BORE, ANSI CLASS 150	
	DATE	03/16/2009	03/16/2009	03/16/2009	REVISION	01	SCALE		FREE

Fig No: **MD-24**

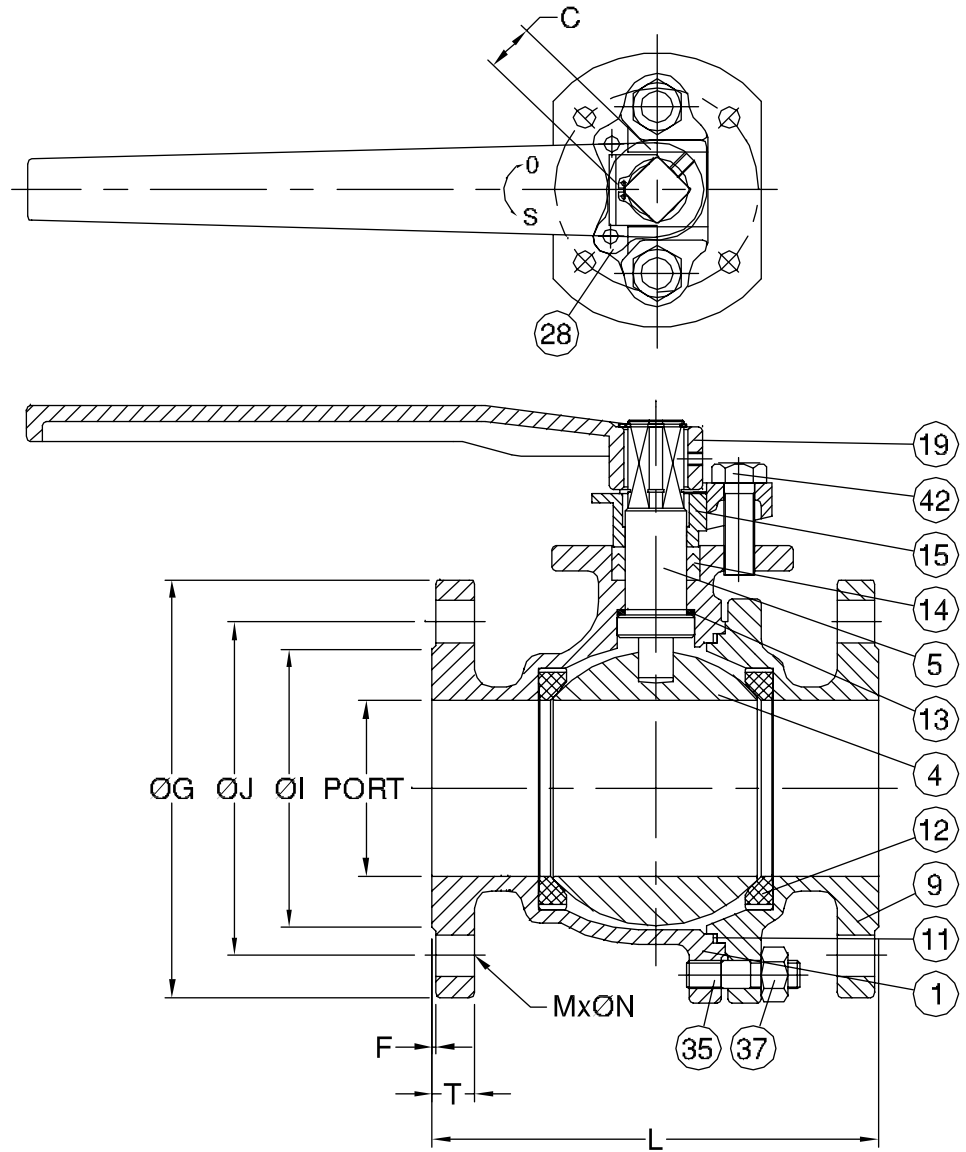
MATERIALS LIST

NO.	PART NAME	MATERIAL
1	BODY	ASTM A126 CLASS B
4	BALL	ASTM A351 Gr.CF8
5	STEM	SS304
9	END CAP	ASTM A126 CLASS B
11	BODY SEAL	PTFE.
12	SEAT	PTFE.
13	THRUST WASHER	PTFE.
14	STEM PACKING	PTFE.
15	GLAND	FC20
19	HANDLE	FC20
28	STOP PLATE	S41C
35	STUD	S41C
37	BOLT NUT	S41C
42	GLAND BOLT	S41C

DIMENSIONS

unit:mm

SIZE	PORT	L	C	ØG	ØJ	ØI	T	F	M	ØN	
DN100	4"	100	228.6	21.0	228.6	190.5	157.2	23.9	1.6	8	19.0
DN125	5"	125	355.6	26.0	254.0	215.9	185.7	23.9	1.6	8	22.2
DN150	6"	150	393.7	26.0	279.0	241.3	215.9	25.4	1.6	8	22.2
DN200	8"	200	457.2	32.0	342.9	298.5	269.7	28.5	1.6	8	22.2
DN250	10"	250	533.4	32.0	406.4	362.0	323.9	30.3	1.6	12	25.4
DN300	12"	300	609.6	32.0	482.6	431.8	381.0	31.8	1.6	12	25.4



CODE	L-010		APPROVED BY	CHECK BY	DRAWN BY	DRAWING NO.	MATERIAL	UNIT	DESCRIPTION
	SIGN	TONY	MICHAEL	SHANA	MD-24-L010	MATERIALS LIST	mm	TWO PIECES BALL VALVES, FLANGED END, FULL BORE, ANSI CLASS 150	
	DATE	03/16/2009	03/16/2009	03/16/2009	REVISION	01	SCALE		FREE